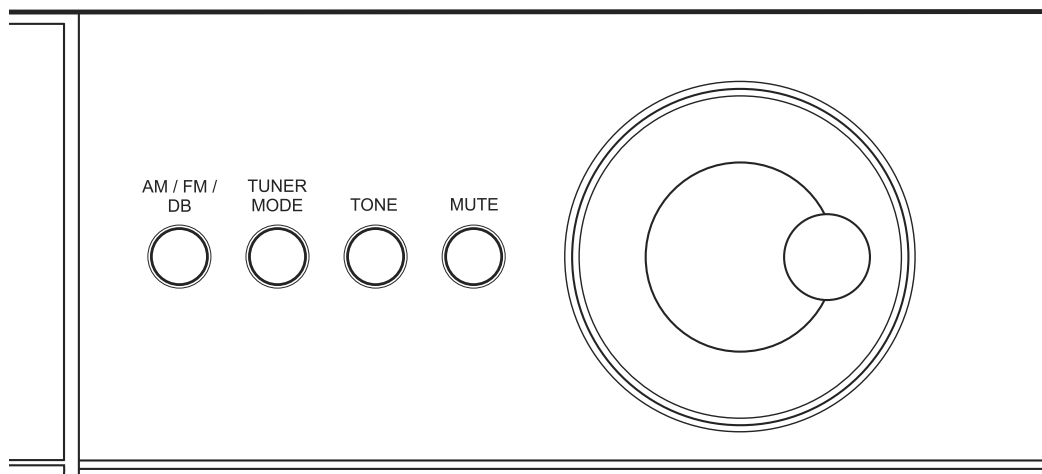




# VISO FIVE

DVD Surround Sound Receiver

## SERVICE MANUAL ADDENDUM



From SN A99VISOFIVE04701 Onward

### PCB LAYOUT

• FRONT BOARD .....	3
• INPUT BOARD .....	4
• POWER BOARD .....	5
• SUB POWER BOARD .....	6

### SCHEMATIC DIAGRAM

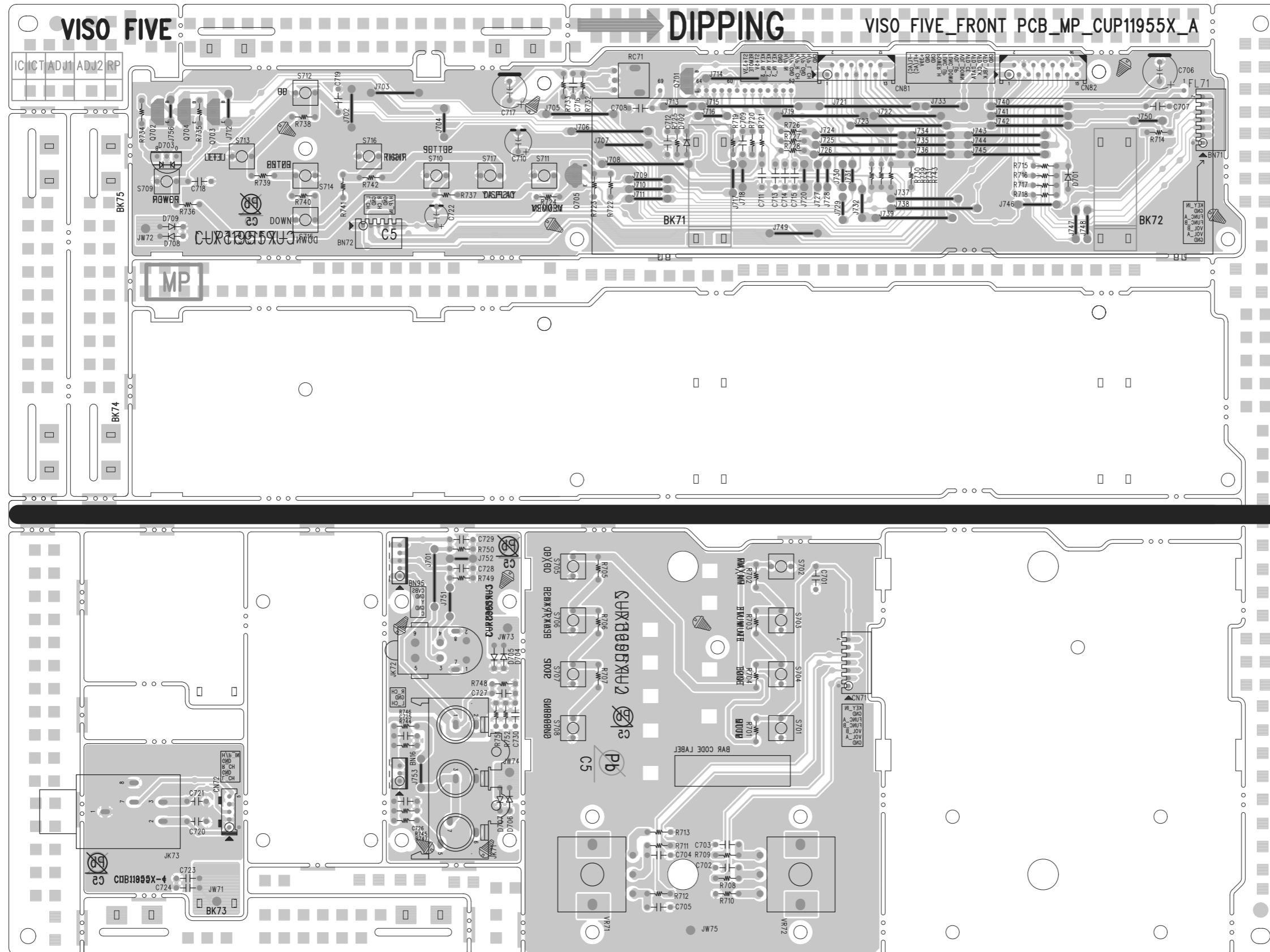
• FRONT BOARD .....	7
• INPUT BOARD .....	8
• DSP BOARD .....	9
• MCU BOARD .....	10
• POWER BOARD .....	11
• SUB POWER BOARD .....	12

## Parts List for Exploded View 1-Watt version

- COP11959C VISO FIVE POWER PCB & AUTO assembly 1W version C
- COP11960 Complete VISO FIVE AMPLIFIER assembly, with heatsink, outputs, and fan
- COP11960B VISO FIVE AMP PCB assembly without output transistors and without heatsink.
- COP11955B VISO FIVE FRONT AUTO PCB assembly 1W version
- COP11956B VISO FIVE VIDEO PCB AUTO ASSY L77 AH
- COP11956C VISO FIVE VIDEO PCB AUTO ASSY L77 C
- COP11957C VISO FIVE MAIN AUDIO & MICOM PCB AUTO assembly 1W version C
- COP11958C VISO FIVE MPEG & HDMI assembly AH-version
- COP11958E VISO FIVE MPEG & HDMI assembly C-version
- COP11959B VISO FIVE POWER PCB AUTO assembly original AH version  
(no change for low power 1-Watt units)

# PCB LAYOUTm FRONT BOARD

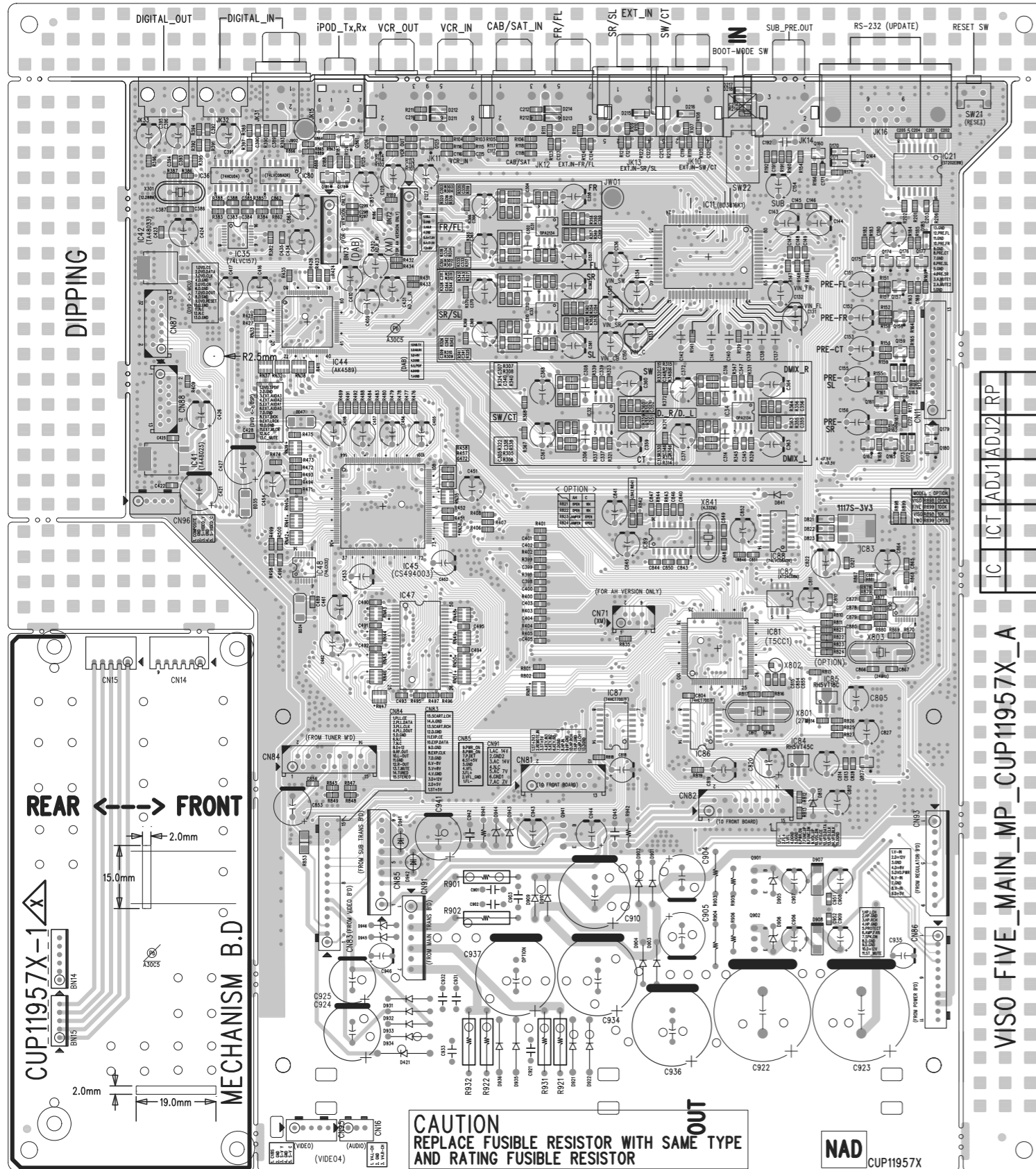
TOP SIDE



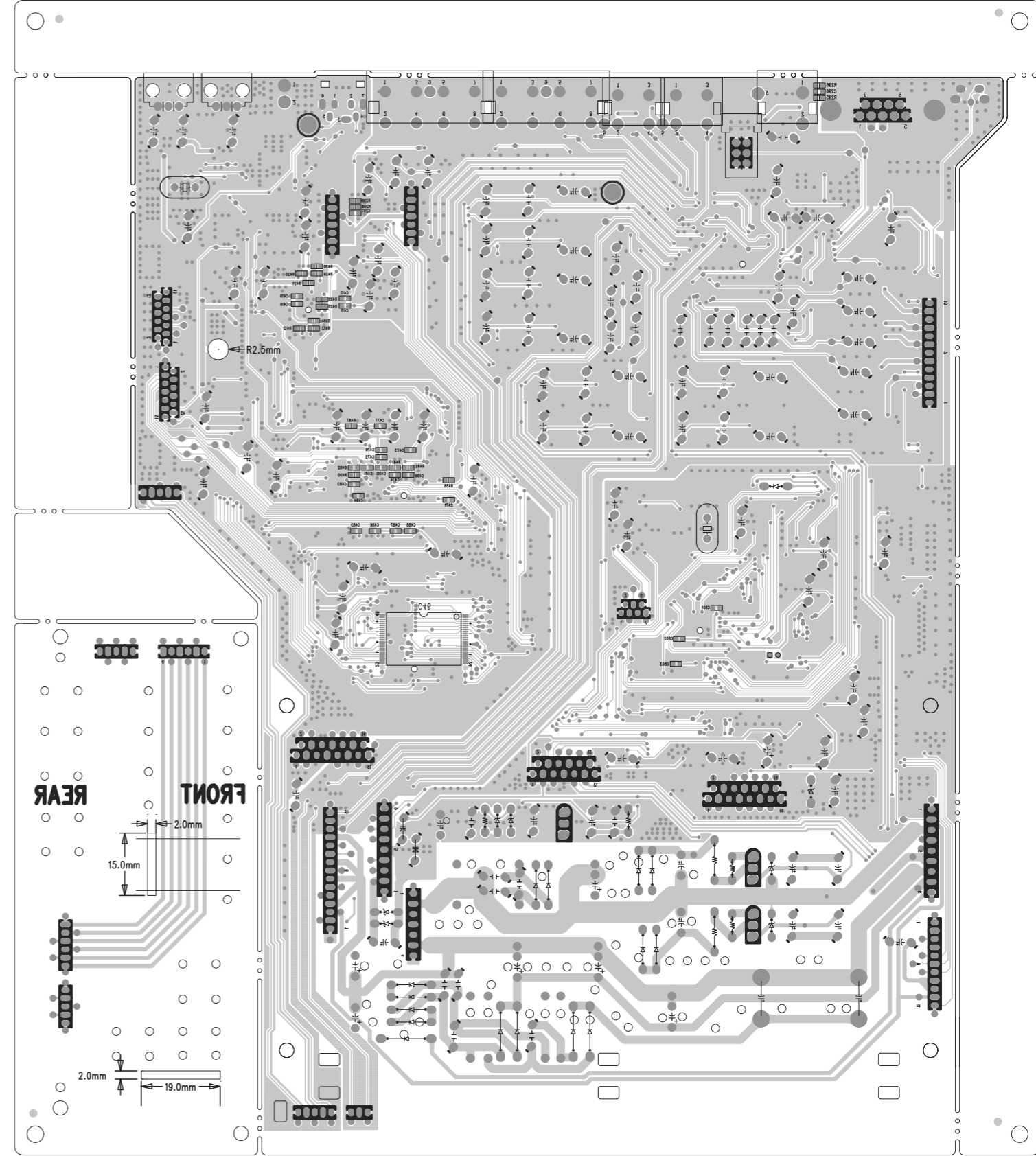
# PCB LAYOUT

## MAIN INPUT AUDIO & MICOM BOARD

TOP SIDE

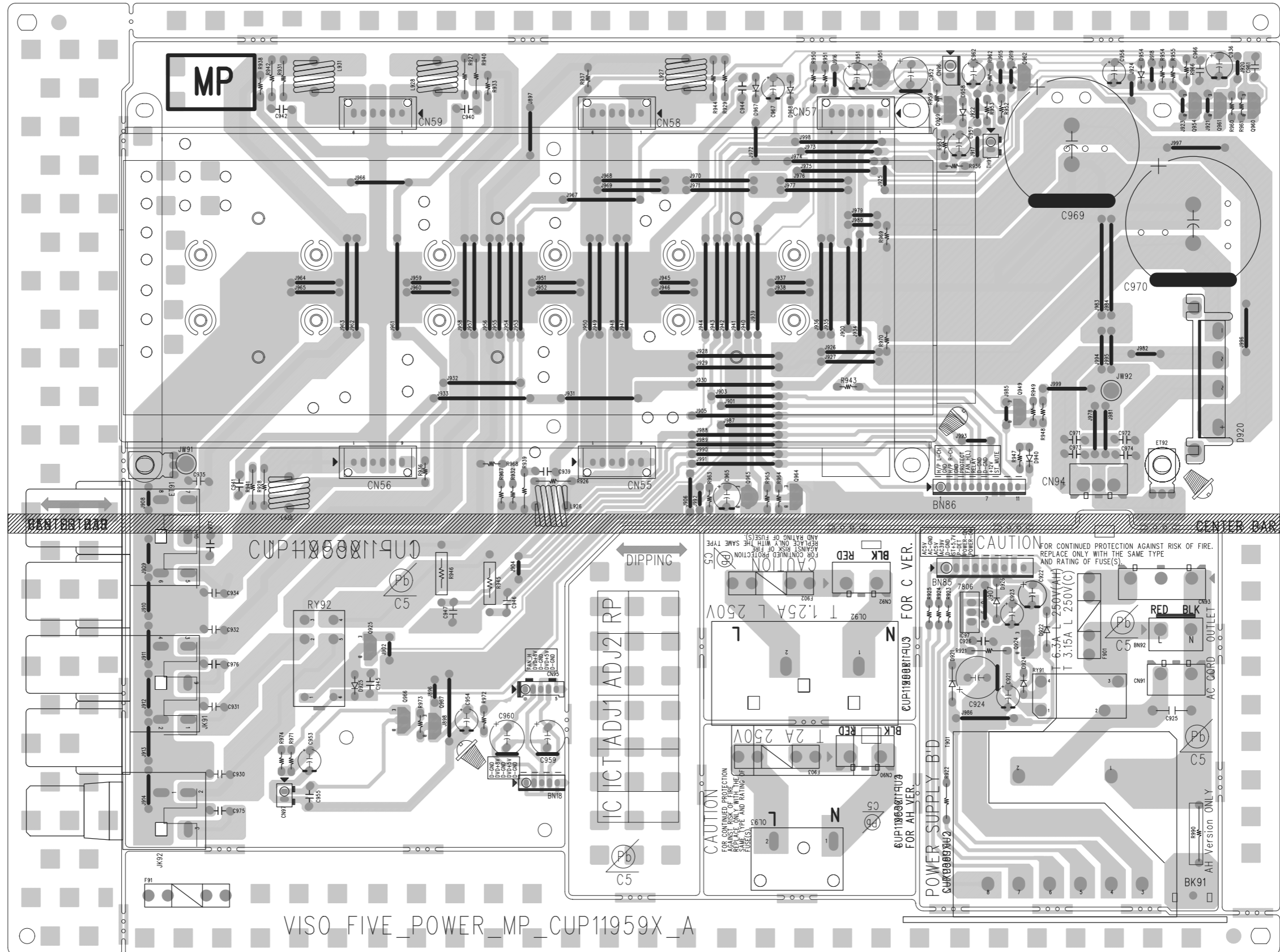


BOTTOM SIDE



# PCB LAYOUT POWER BOARD

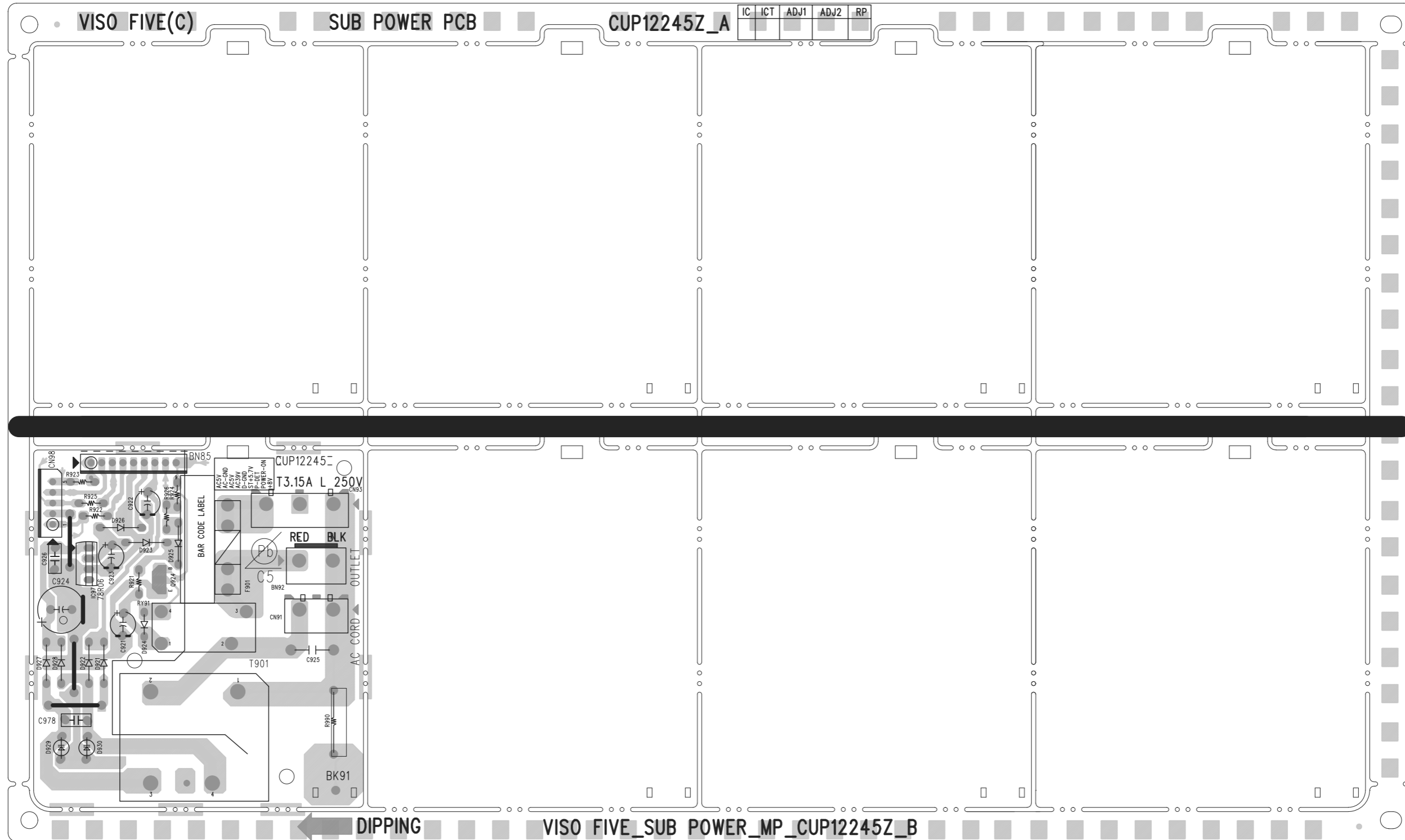
TOP SIDE



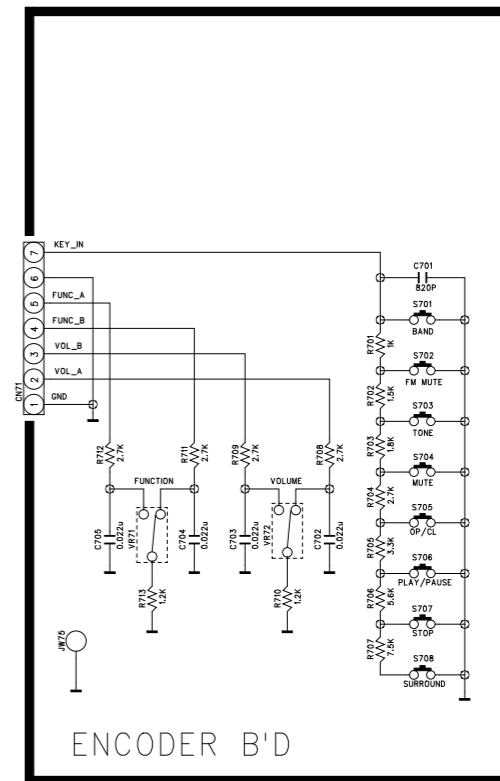
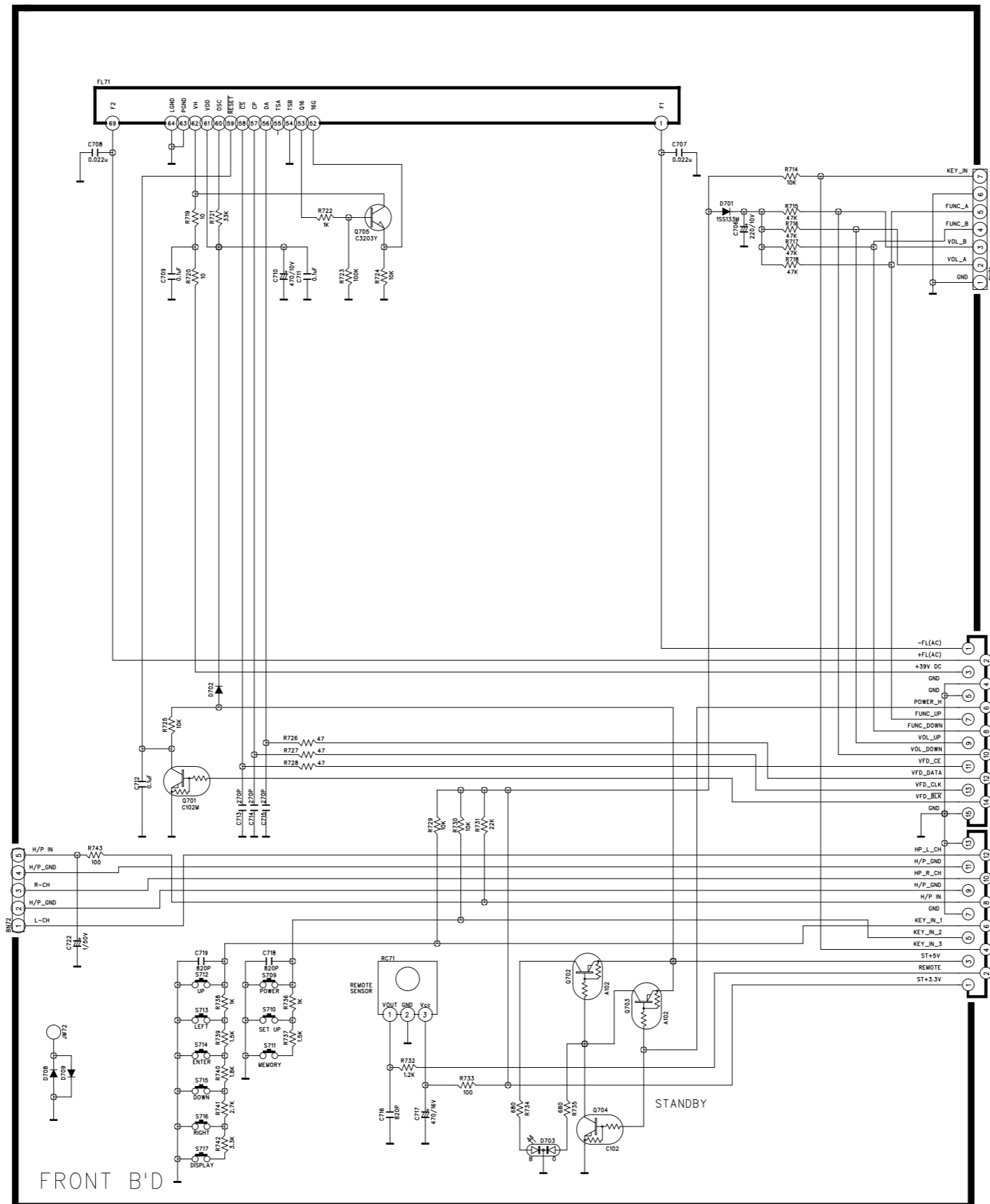
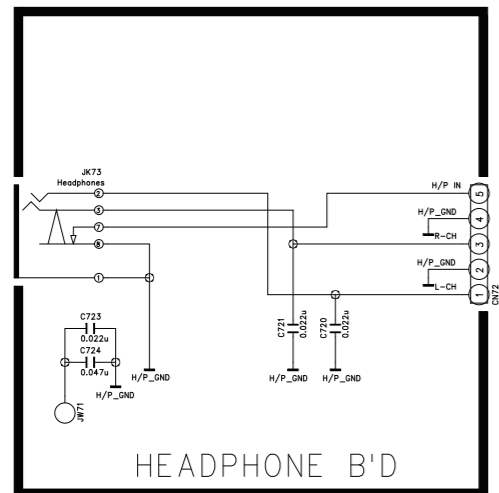
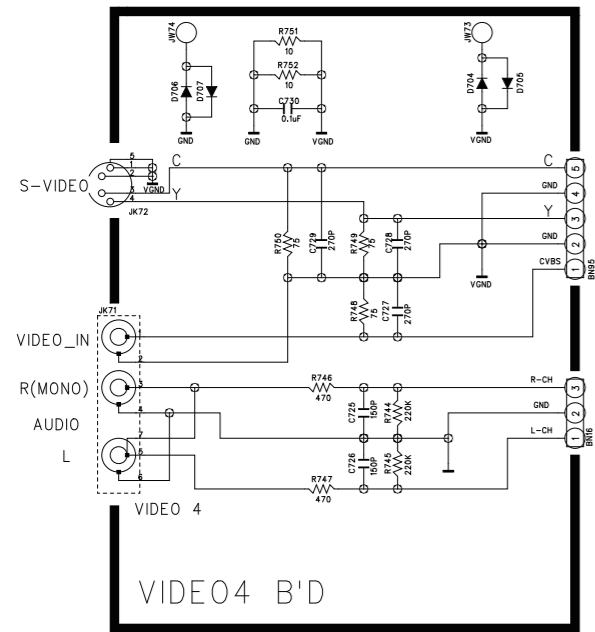
VISO FIVE\_POWER\_MP\_CUP11959X\_A

# PCB LAYOUT SUB POWER BOARD

TOP SIDE

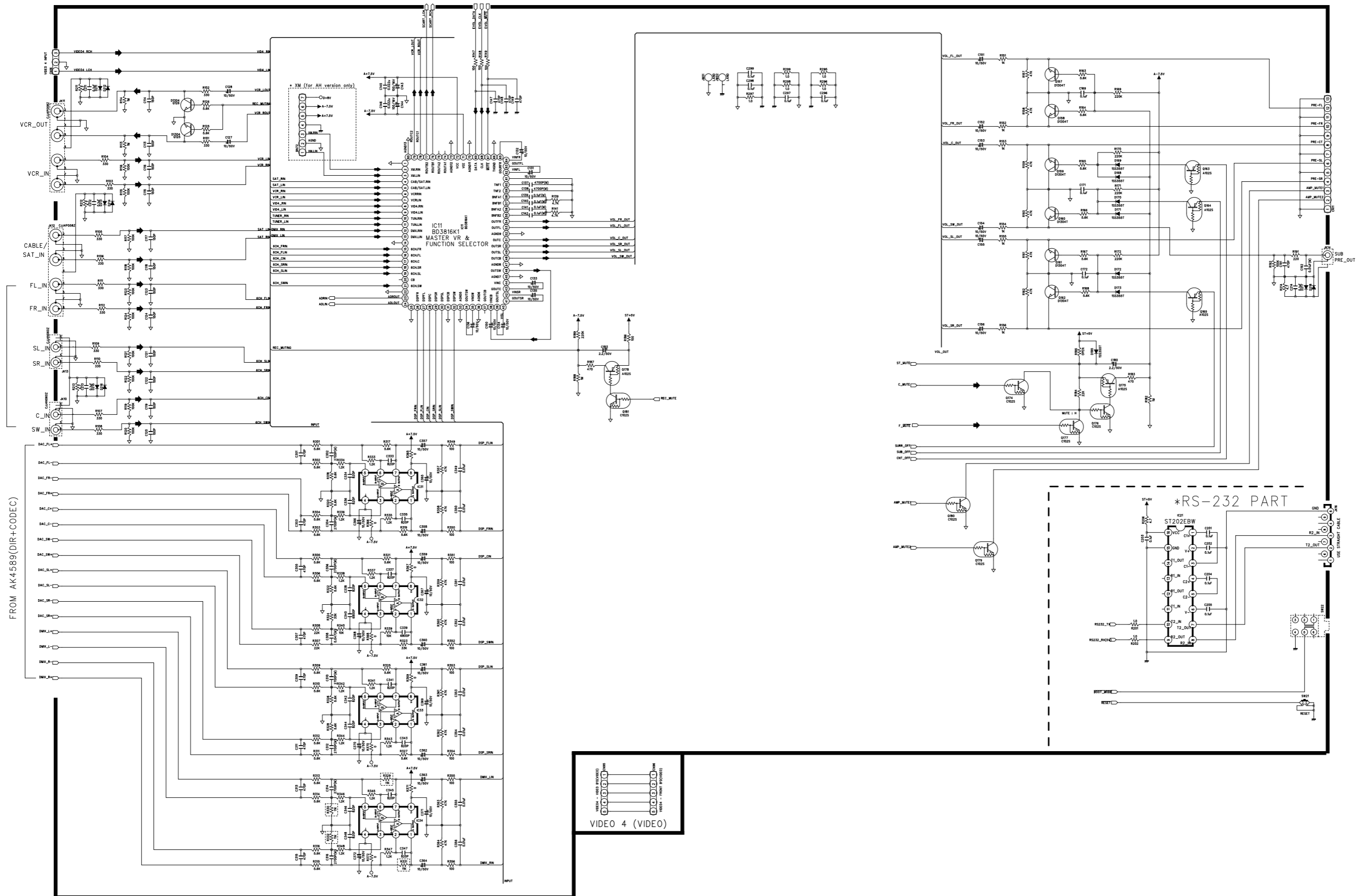


# SCHEMATIC DIAGRAM FRONT BOARD



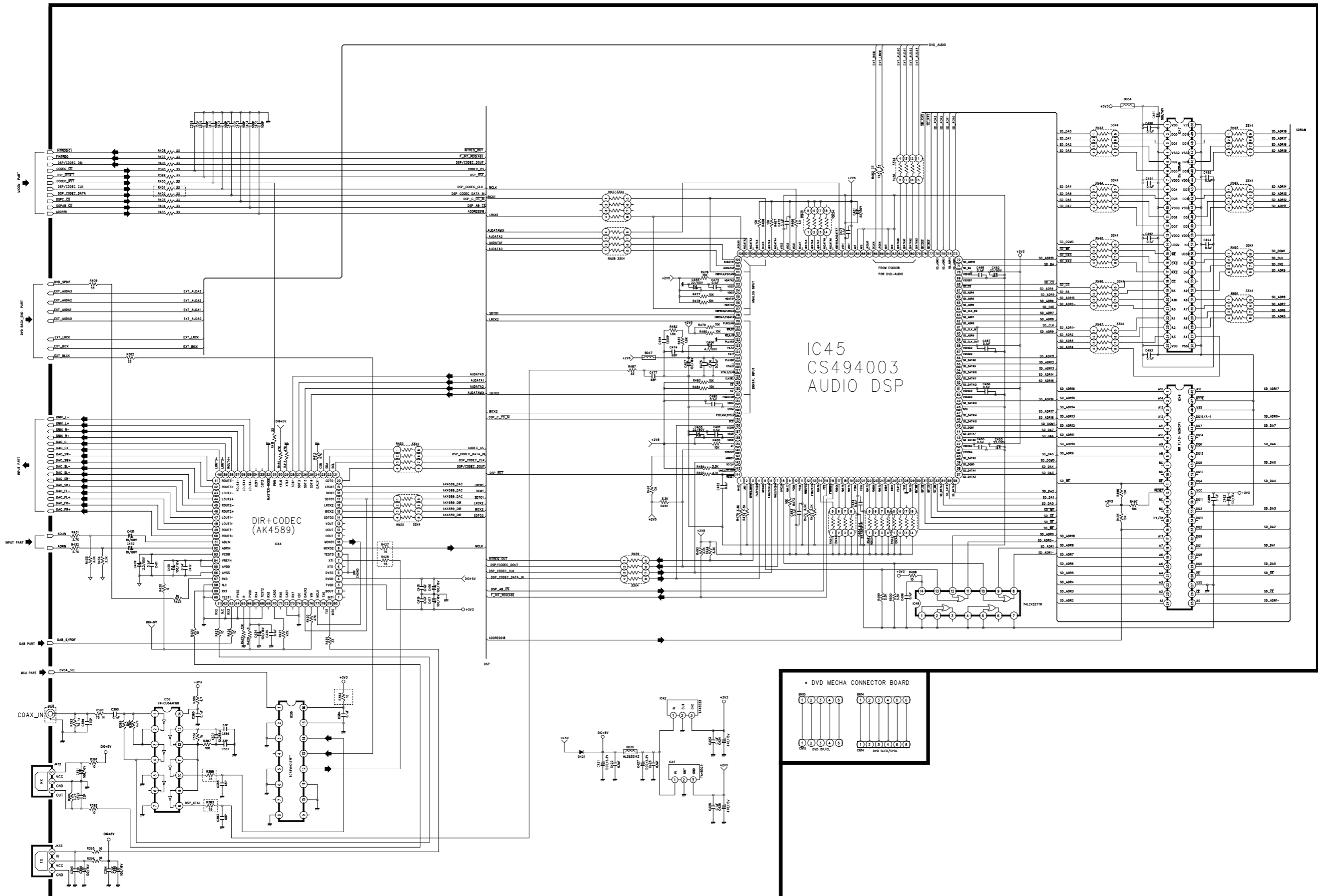
FRONT B'D <--- MCU B'D

# SCHEMATIC DIAGRAM INPUT BOARD

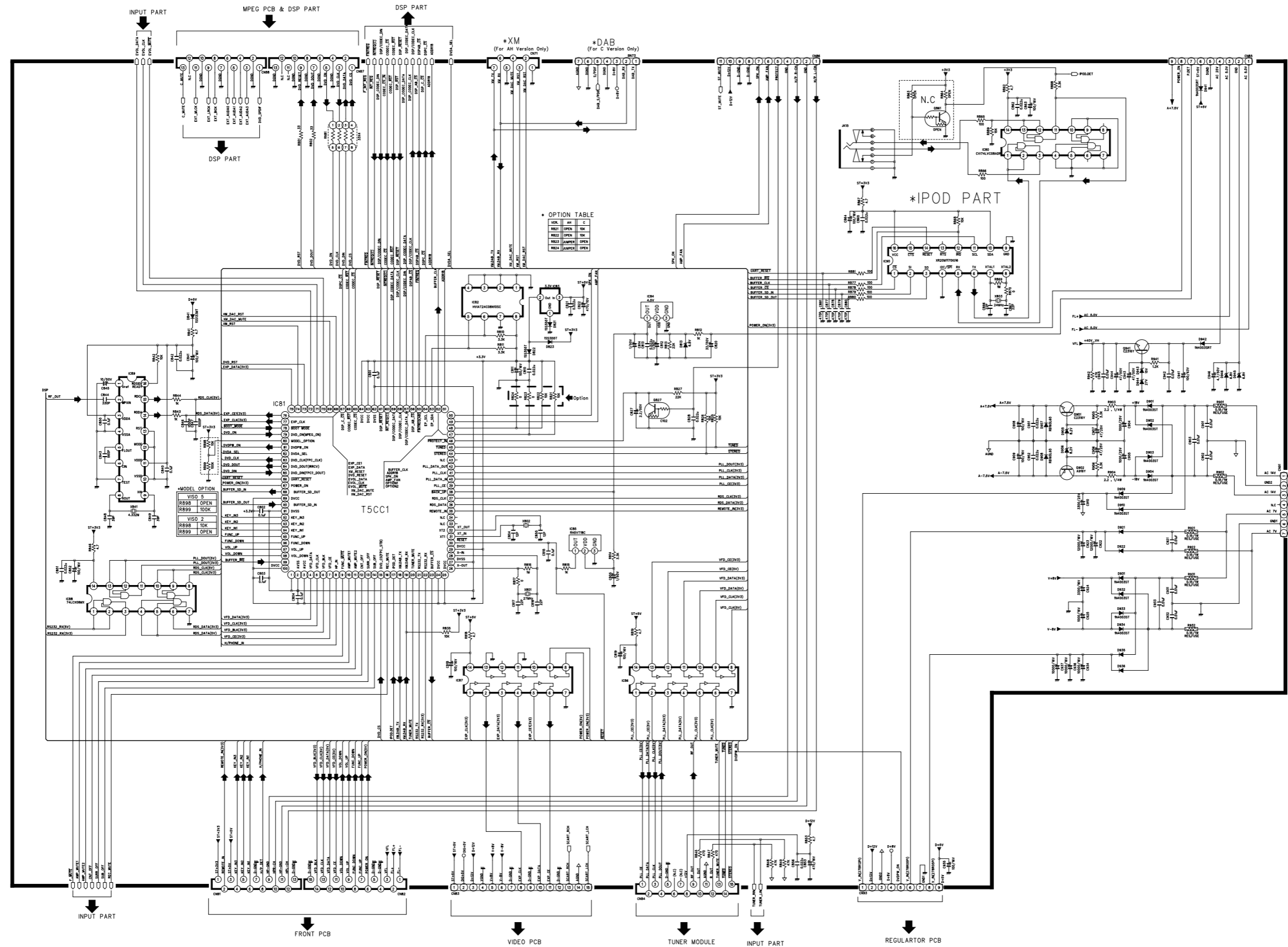




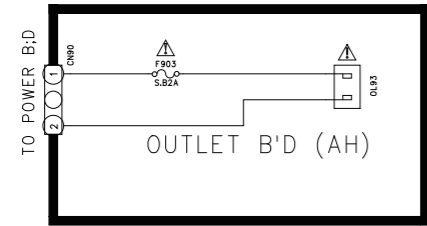
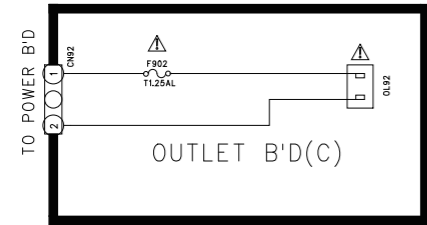
# SCHEMATIC DIAGRAM DSP BOARD



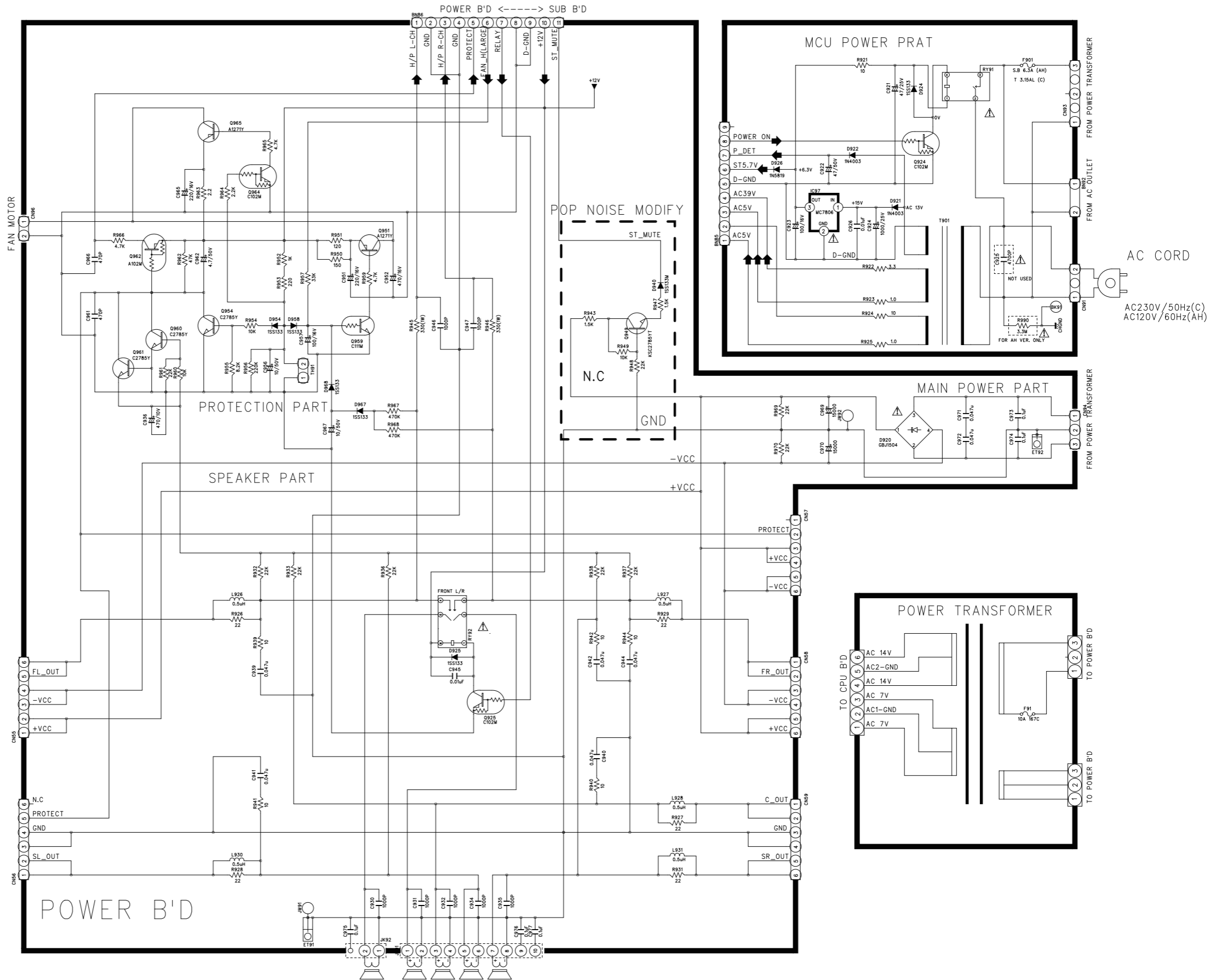
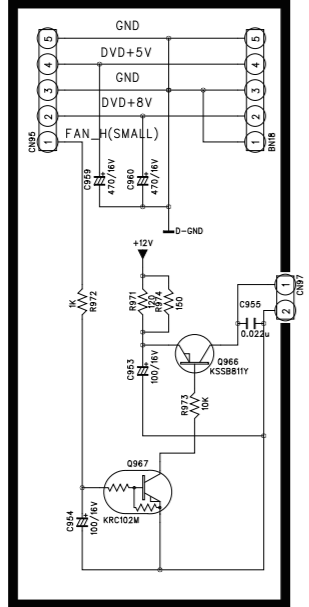
# SCHEMATIC DIAGRAM MCU BOARD



# SCHEMATIC DIAGRAM POWER BOARD



DVD POWER & FAN PART



# SCHEMATIC DIAGRAM SUB POWER BOARD

